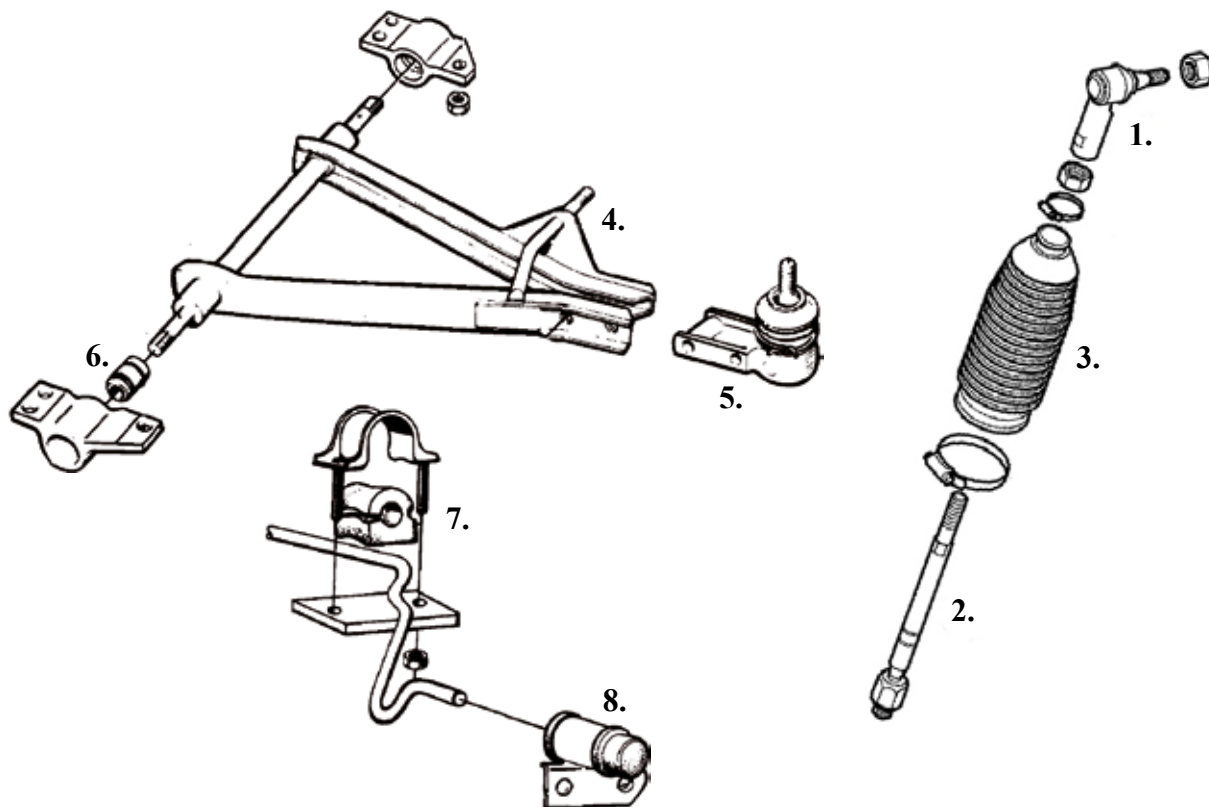













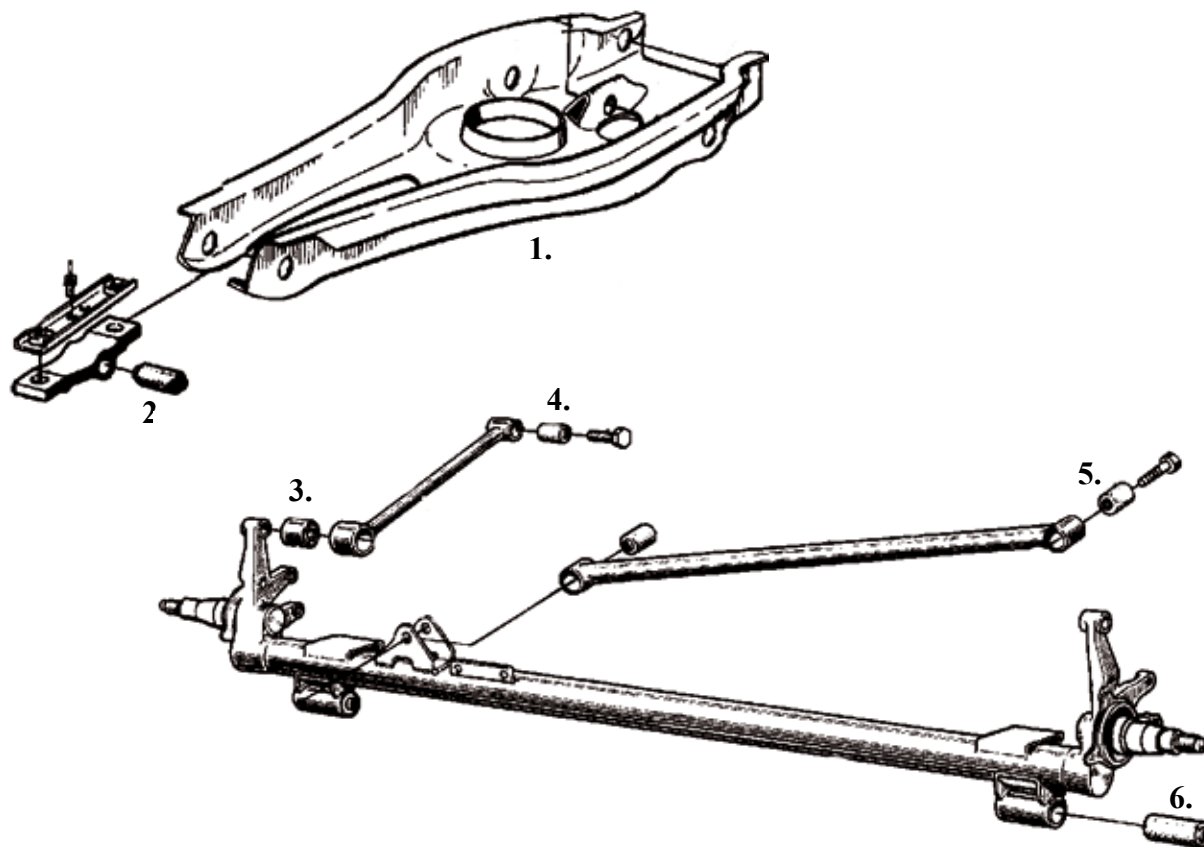
Suspension Front 90, 99, 900 -1993





No	Description	L/R	Year	Oe Ref	Part Nr	
1	Tie rod end for SAAB 95,96	L&R	All	8993339	61340000	
1	Tie rod end	L&R	-1974	8993347	61343347	
1	Tie rod end	L&R	1975-	8993354	61340020	
2	Tie rod inner for SAAB 900 with power steering	L&R		8988941	61340030	
3	Boot kit for tie rod with power steering	L&R		8993099	47343099	
4	Lower control arm for SAAB 900	Left		4199576	61340021	
4	Lower control arm for SAAB 900	Right		4199584	61340022	
	Upper control arm for SAAB 900	Left		8941015	61341015	
	Upper control arm for SAAB 900	Right		8941023	61341023	

Suspension Front 90, 99, 900 -1993						
No	Description	L/R	Year	Oe Ref	Part Nr	
5	Ball joint for SAAB 95, 96	L&R		7372170	61340010	
5	Ball joint w/o with bolt kit	L&R		8993321	61340040	
	Bolt kit for ball joint 61340040 2 bolts & 2 nuts			8990012 (7969306)	61340004	
6	Bushing lower control arm for 900			7184443	61340008	
6	Bushing upper control arm for 900			7163603	61340006	
7	Bushing anti roll bar inner for 900 all models			8990087	61340014	
8 8	Bushing anti roll bar outer Bushing anti roll bar outer	Left Right		8962656 8962664	61340001 61340002	
8	Urethane bushing for anti roll bar for 900	L&R		896265U	61340001PU	
	Shock absorber bushing for 900			8932840	61340016	
	Steering rack bushing for 900			8993511	61340018	
	Alternator bushing			7541451	61340024	
	Alternator tensioner arm bushing			9354770	61340060	

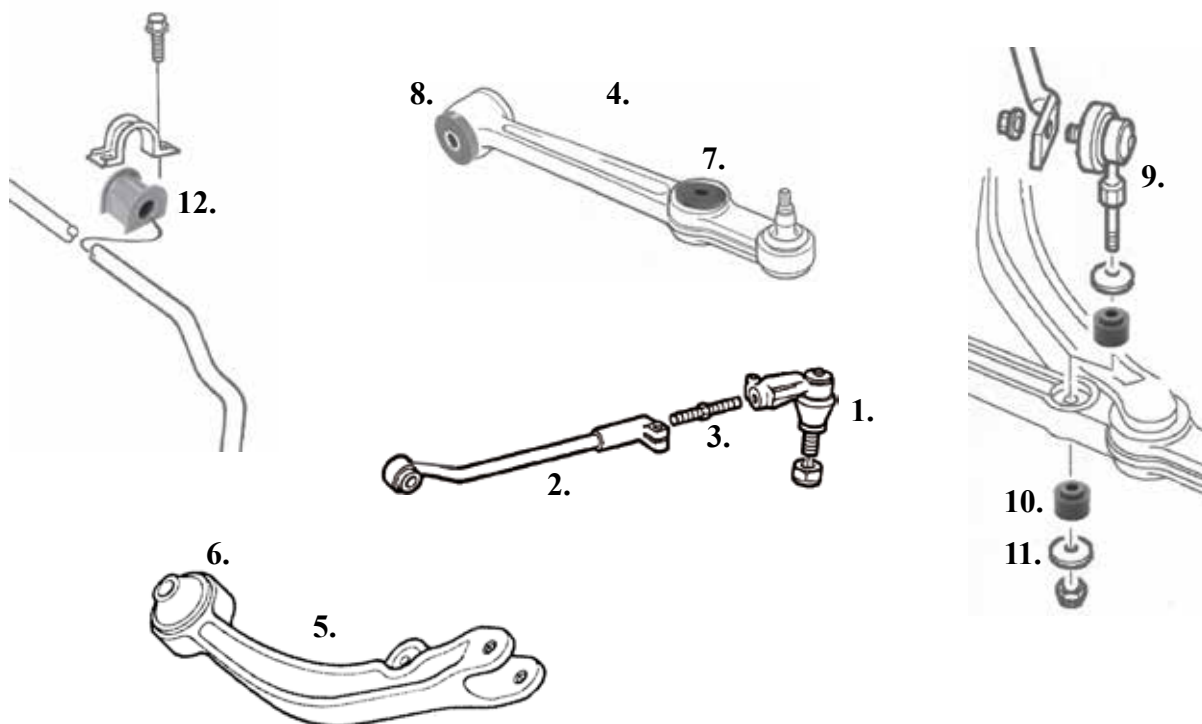
Suspension Rear 90, 99, 900 -1993



No	Description	L/R	Year	Oe Ref	Part Nr	
1	Control arm	Left	1979-89	8936304	65346304	
1	Control arm	Right	1979-89	8947210	65347210	
2	Spring link bushing front for 900			8935298	65340046	
3	Support bar bushing front for 90, 99, 900		-1987	8908675	65340034	

Suspension Rear 90, 99, 900 -1993						
No	Description	L/R	Year	Oe Ref	Part Nr	
4	Support bar bushing rear for 900		-1987	8932741	65340026	
4	Support bar bushing front for 900		1988-	9103110	65340036	
4	Support bar bushing rear for 900		1988-	8956468	65340028	
5	Cross bar bushing for 900	Left		8932014	65340031	
5	Cross bar bushing for 900	Right		8930307	65340032	
6	Spring link bushing rear for 900			8935306	65340044	
	Damper for 90, 99, 900		-1993	8922445	65340038	
	Bushing, shock absorber mount for 900	Lower	-1993	32022350 (8947939)	65347939	

Suspension Front 900 1994 - 98



No	Description	L/R	Year	Oe Ref	Part Nr	
1	Tie rod end outer	Left		4242749	61340041	
1	Tie rod end outer	Right		4242756	61340042	
2	Tie rod end inner	Left		4242673	61340051	
2	Tie rod end inner	Right		4242681	61340052	
3	Tie rod end screw adjuster			4242731	61340048	
	Boots for steering ZF			4482964	47342964	
	Boots for steering Saginaw			30553357 (4402772)	47343357	

Suspension Front 900 1994 - 98						
No	Description	L/R	Year	Oe Ref	Part Nr	
4	Control arm w ball joint Ch -S2012271 Ch -S7014772	Left		4248431	61340061	
4	Control arm w ball joint Ch -S2012271 Ch -S7014772	Right		4248449	61340062	
5	Control arm curve style Ch -S2012271 Ch -S7014772	Left		4544995 (4483798)	61340071	
5	Control arm curve style Ch -S2012271 Ch -S7014772	Right		4545000 (4483806)	61340072	
6	Bushing rear for control arms 61340071 & 61340072 Ch -S2012271 Ch -S7014772			4544987 (4483293)	61340056	
4	Control arm w ball joint Ch 2012272 - Ch 7014773 -	Left		4543450	61340011	
4	Control arm w ball joint Ch 2012272 - Ch 7014773 -	Right		4543468	61340012	
4	Control arm w ball joint Ch 2012272-	Left		4543450	61340011PU	
4	Control arm w ball joint Ch 2012272-	Right		4543468	61340012PU	
7	Middle bushing for control arm 61340011 & 61340012 Ch 2012272 - Ch 7014773 -			4545711	61340110	
7	Bushing kit for control arm. Ch 2012272 - Ch 7014773- Can replace 61340110. 2 pieces.			4545711	61340110PU	
8	Front track control arm inner bushing for 61340011 & 61340012. 2 pieces.	Front			61349999PU	
5	Control arm curve style Ch 2012272 -, Ch 7014773 -	Left		4647004	61340091	
5	Control arm curve style Ch 2012272 -, Ch 7014773 -	Right		4647012	61340092	

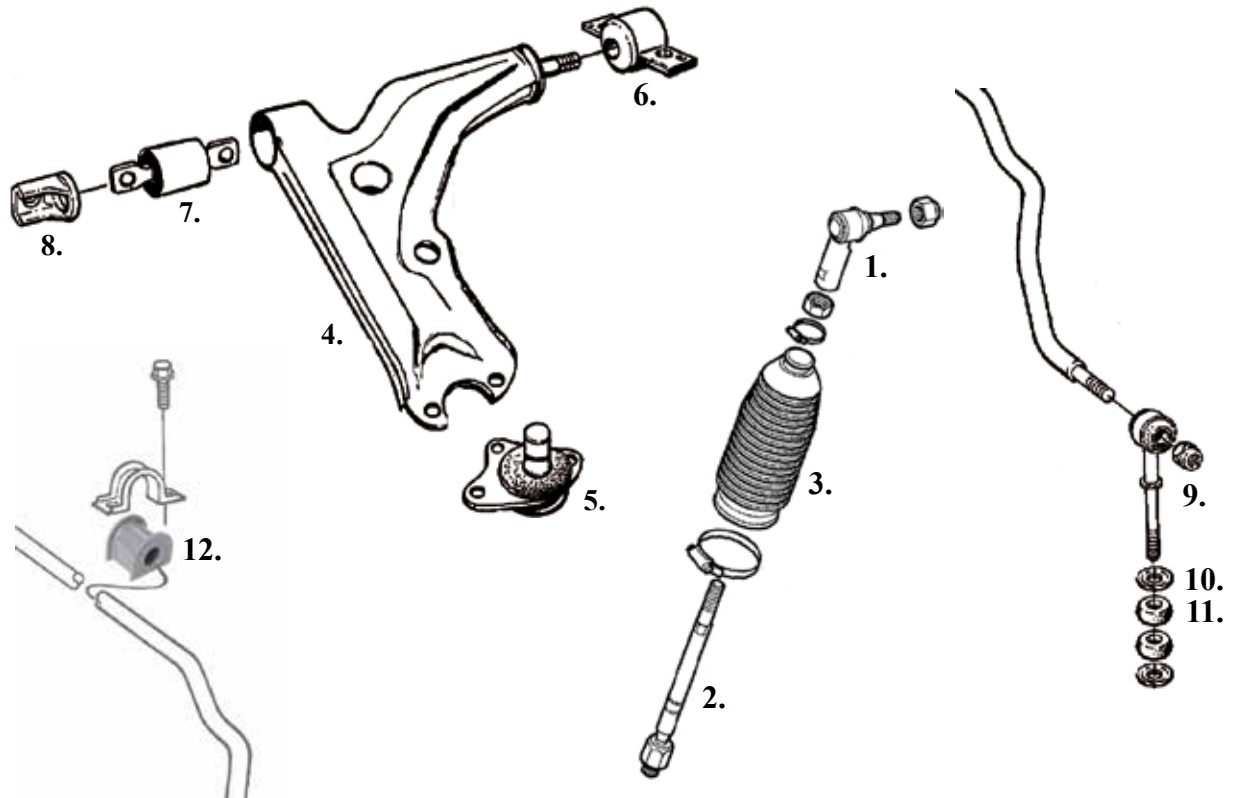
Suspension Front 900 1994 - 98

No	Description	L/R	Year	Oe Ref	Part Nr	
6	Rear bushing for control arm 61340091 & 61340092 Ch 2012272-, Ch 7014773 -			4482402	61340058	
(6)	Metal sleeve insert, control arm mounting			4246062	61346062	
6	Rear bushing for control arms 61340091 & 61340092 Ch 2012272 -, Ch 7014773 - Can replace 61340058. 2 pieces.			4482402	61340058PU	
9	Stabilizer link - Complete kit Ch -S2012271 Ch -S7014772				61340080	
9	Stabilizer link Ch -S2012271 Ch -S7014772			30540743 (4400040)	61340078	
9	Stabilizer link, reinforced with PU bushing Ch -S2012271, Ch -S7014772			30540743 (4400040)	61340080PUC	
9	Stabilizer link Ch 2012272 - Ch 7014773 -			4544599	61340090	
9	Stabilizer link - Complete kit Ch 2012272 - Ch 7014773 -				61340100	
9	Stabilizer link - Complete kit Reinforced with PU bushing Ch 2012272 -, Ch 7014773 -				61340100PUC	
10	Bushing for stabilizer link			4246112	61340230	
	Bushing kit for stabilizer link. Can replace 61340230. 4 pieces.			4246112	61340230PU	
11	Washer for stabilizer link Ch -2012271, Ch -7014772			4087326	61439303	
11	Seal for bushing on control arm FC2 ch 2012272- FC7 ch 7014773-			4646089	61346089	

Suspension Front 900 1994 - 98						
No	Description	L/R	Year	Oe Ref	Part Nr	
	Repair kit steering knuckle for shock absorber				72340000	
12	Anti roll bar bush. For anti-roll bar 4543492 Inner diameter 22 mm			4543518	61343518	
12	Anti roll bar bush for anti-roll bar 4543492. Can replace 61343518. Inner diameter 22 mm 2 pieces.			4543518	61344518PU	
12	Anti roll bar bush. For anti-roll bar 4543500 Inner diameter 23,5 mm			4543526	61343526	
12	Anti roll bar bush for anti-roll bar 4543500. Can replace 61343526. Inner diameter 23,5 mm 2 pieces.			4543526	61343526PU	
	Spring support	L&R		4544979 (4402491)	72342491	
	Shock absorber leg	Left Right		4249413 4249405	72349413 72349405	
	Shock absorber leg complete Kit includes: Shock abs legs 72349413 & 72349405 Shock absorber 72346519S Bearing kit 77349923 Strut mount kit 72344276 Strut mount bearing 72430020HD Spacer 72343616 Coil springs 34397806 Spring support 72342491 Spring spacer lower 72349378 Dust cover kit 61343897 Spring insulator 72345734	Left Right	1994-98	4249413 4249405	72349413C 72349405C	

Rear Suspension 900 1994 - 98 & 9-3 1998 - 02						
No	Description	L/R	Year	Oe Ref	Part Nr	
	Bushing for rear axle	L&R		4467791	65340088	
	Bushing for rear axle Can replace 65340088 2 pieces.	L&R		4467791	65340088PU	
	Bushing for anti roll bar	L&R		4249272	65340094	
	Absorb bump stop			4244505	65344505	
	Lower camber shim			4908166	65348166	
	Upper camber shim			4908174	65348174	

Suspension Front 9000



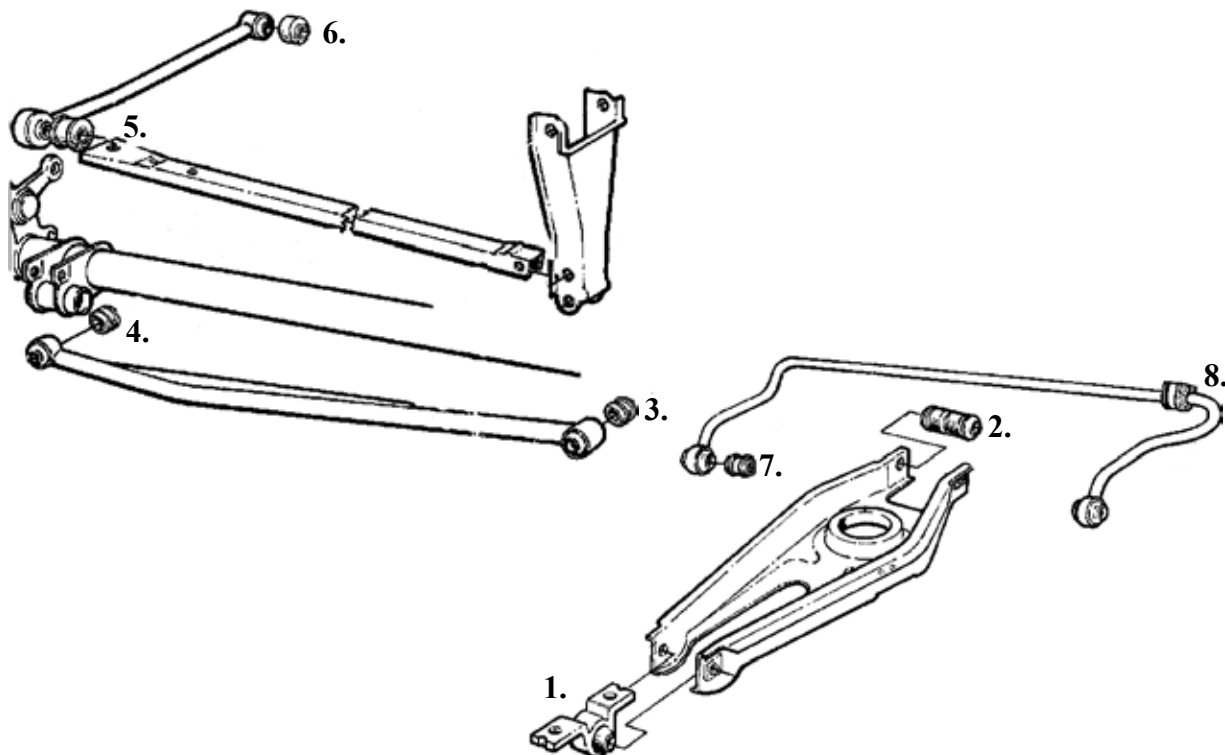
No	Description	L/R	Year	Oe Ref	Part Nr	
1	Tie rod end outer	L&R		8993453	61340170	
2	Tie rod end inner	L&R		8962250	61340180	
3	Boots for steering	Left		8962243	47342243	
3	Boots for steering	Right		8962516	47342516	

Front Suspension 9000

No	Description	L/R	Year	Oe Ref	Part Nr	
4	Control arm	Left		8958365	61348365	
4	Control arm	Right		8958373	61348373	
5	Ball joint	L&R		8994212 (8972135)	61340190	
6	Rear bushing for control arms 61348365 & 61348373 With "wings"	L&R		8965253	61340138	
6	Rear bushing kit for control arms 61348365 & 61348373 Can replace 61340138. 2 pieces.	L&R		8965253	61340138PU	
6	Housing for bushing 61340138PU.	L&R			61340138H	
6	Complete rear bushing for 61340138PU. 61340138PU & 61340138H. 2 pieces	L&R			61340138PUC	
7	Front bushing for control arm "Dog bone"			8961476	61340136	
8	Front bushing for control arm Black			4426003	61340134	

Front Suspension 9000						
No	Description	L/R	Year	Oe Ref	Part Nr	
9	Stabilizer link			8958944	61340200	
9	Stabilizer link kit				61340210	
9	Stabilizer link kit Reinforced with PU bushing				61340210PUC	
10	Bushing for stabilizing link			8953986	61340086	
10	Bushing kit for stabilizing link. Can replace 61340086. 4 pieces.			8953986	61340086PU	
11	Washer for stabilizing link			4087326	61439303	
12	Anti roll bar bush	L&R	1991-	8965378 (8968992)	61340126	
12	Anti roll bar bush. Can replace 61340126. 2 pieces.	L&R		8965378 (8968992)	61340126PU	
	Bushing for steering rack			8993511 (8934119)	61340018	
	Gear shift joint			7576416 (7576419)	61340142	

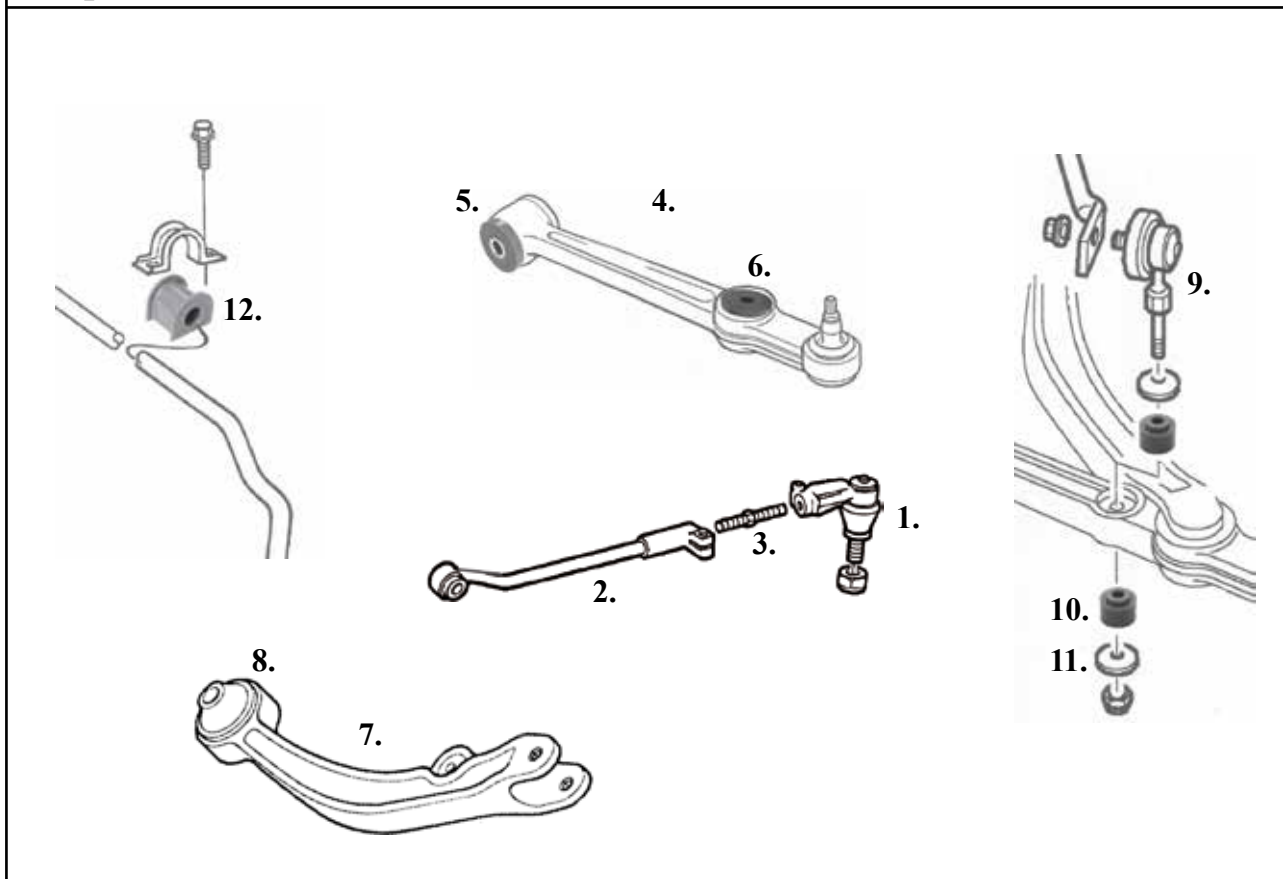
Rear Suspension 9000








No	Description	L/R	Year	Oe Ref	Part Nr	
1	Front bushing for control arm	L&R		8957714	65340166	
2	Rear bushing for control arm	L&R		8951063	65340164	
3	Bushing for cross bar	Left		8952558	65340158	
4	Bushing for cross bar	Right		8957532 (8972655)	65340156	

Rear Suspension 9000						
No	Description	L/R	Year	Oe Ref	Part Nr	
5	Front bushing for support bar	L&R		8955759	65340154	
6	Rear bushing for support bar	L&R		8956468	65340028	
7	Anti roll bar bush outer	L&R		8962011	65340148	
8	Middle anti roll bar bush. 5 door	L&R		4425583	65340164	
8	Middle anti roll bar bush. 4 door	L&R		4425575	65340144	
8	Middle anti roll bar bush. 4 door. Can replace 65340144. 2 pieces	L&R		4425575	65340144PU	

Suspension Front 9-3 1998 - 02






No	Description	L/R	Year	Oe Ref	Part Nr	
1	Tie rod end outer	Left		4242749	61340041	
1	Tie rod end outer	Right		4242756	61340042	
2	Tie rod end inner	Left		4242673	61340051	
2	Tie rod end inner	Right		4242681	61340052	
3	Tie rod end screw adjuster	L&R		4242731	61340048	
	Boots for steering ZF			4482964	47342964	
	Boots for steering Saginaw			30553357 (4402772)	47343357	

Suspension Front 9-3 1998 - 02						
No	Description	L/R	Year	Oe Ref	Part Nr	
4	Control arm w ball joint	Left		4543450	61340011	
4	Control arm w ball joint	Right		4543468	61340012	
4	Control arm w ball joint	Left		4543450	61340011PU	
4	Control arm w ball joint	Right		4543468	61340012PU	
5	Front track control arm inner bushing for 61340011 & 61340012. 2 pieces.				61349999PU	
6	Middle bushing for control arms 61340011 & 61340012			4545711	61340110	
6	Middle bushing kit for control arms 61340011 & 61340012 Can replace 61340110. 2 pieces			4545711	61340110PU	
7	Control arm curve style	Left		4647004	61340091	
7	Control arm curve style	Right		4647012	61340092	
8	Rear bushing for control arms 61340091 & 61340092			4482402	61340058	
(8)	Metal sleeve insert, control arm mounting			4246062	61346062	
8	Rear bushing for control arms 61340091 & 61340092 Can replace 61340058. 2 pieces			4482402	61340058PU	

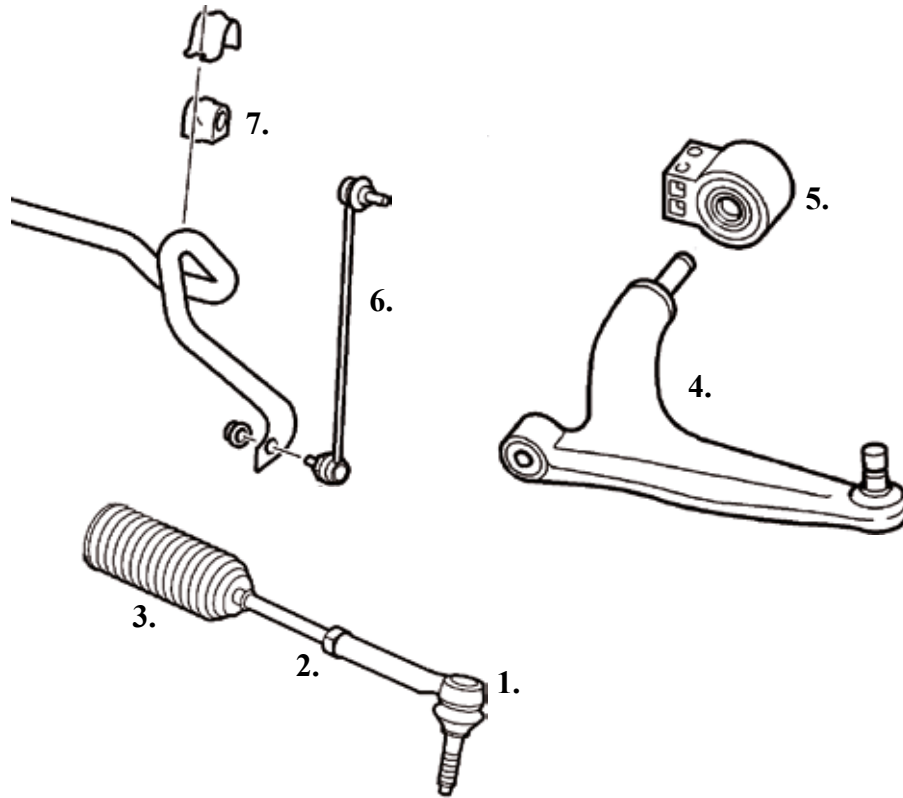
Suspension Front 9-3 1998 - 02




No	Description	L/R	Year	Oe Ref	Part Nr	
9	Stabilizer link			4544599	61340090	
9	Stabilizer link - Complete kit				61340100	
9	Stabilizer link - Complete kit Reinforced with PU bushing				61340100PUC	
10	Bushing for stabilizer link			4246112	61340230	
10	Bushing kit for stabilizer link. Can replace 61340230. 4 pieces.			4246112	61340230PU	
11	Washer for stabilizer link			4087326	61439303	
11	Seal for bushing on control arm			4646089	61346089	
12	Anti roll bar bush. For anti-roll bar 4543492 Inner diameter 22 mm			4543518	61343518	
12	Anti roll bar bush for anti-roll bar 4543492. Can replace 61343518. Inner diameter 22 mm 2 pieces.			4543518	61344518PU	
12	Anti roll bar bush. For anti-roll bar 4543500 Inner diameter 23,5 mm			4543526	61343526	
12	Anti roll bar bush for anti-roll bar 4543500. Can replace 61343526. Inner diameter 23,5 mm 2 pieces.			4543526	61343526PU	
12	Anti roll bar bush. For anti-roll bar 4905824 Inner diameter 25,5 mm			4905832	61345832	

Suspension Front 9-3 1998 - 02						
No	Description	L/R	Year	Oe Ref	Part Nr	
	Repair kit steering knuckle for shock absorber				72340000	
	Shock absorber leg	Left Right		4778841 4778858 (32015481)	72348841 72348858	
	Silentblock/Rubber spacer			4671863	21341863	

Rear Suspension 900 1994 - 98 & 9-3 1998 - 02						
No	Description	L/R	Year	Oe Ref	Part Nr	
	Bushing for rear axle	L&R		4467791	65340088	
	Bushing for rear axle Can replace 65340088. 2 pieces.	L&R		4467791	65340088PU	
	Bushing for anti roll bar	L&R		4249272	65340094	
	Absorb bump stop			4244505	65344505	
	Lower camber shim			4908166	65348166	
	Upper camber shim			4908174	65348174	

Front Suspension 9-3 2003-





No	Description	L/R	Year	Oe Ref	Part Nr	
1	Tie rod end outer B207	Left	2003-05 2006	12801423 (93194328) (5239314)	61341423	
1	Tie rod end outer B207	Right	2003-05 2006	12801424 (93194329) (5239322)	61341424	
1	Tie rod end outer Z18XE, Z19DT, Z19DTH & Z19DTR B284 W/o 4WD	Left	2004-10	93172254	61342254	
1	Tie rod end outer Z18XE, Z19DT, Z19DTH & Z19DTR B284 W/o 4WD	Right	2006-10 2004-10 2006-10	93172255	61342255	
1	Tie rod end outer B207 & D223L B207 4WD B284 XWD	Left	2007-10 2009-10 2008-10	93194521	61344521	
1	Tie rod end outer B207 & D223L B207 4WD B284 XWD	Right	2007-10 2009-10 2008-10	93194522	61344522	

Front Suspension 9-3 2003-

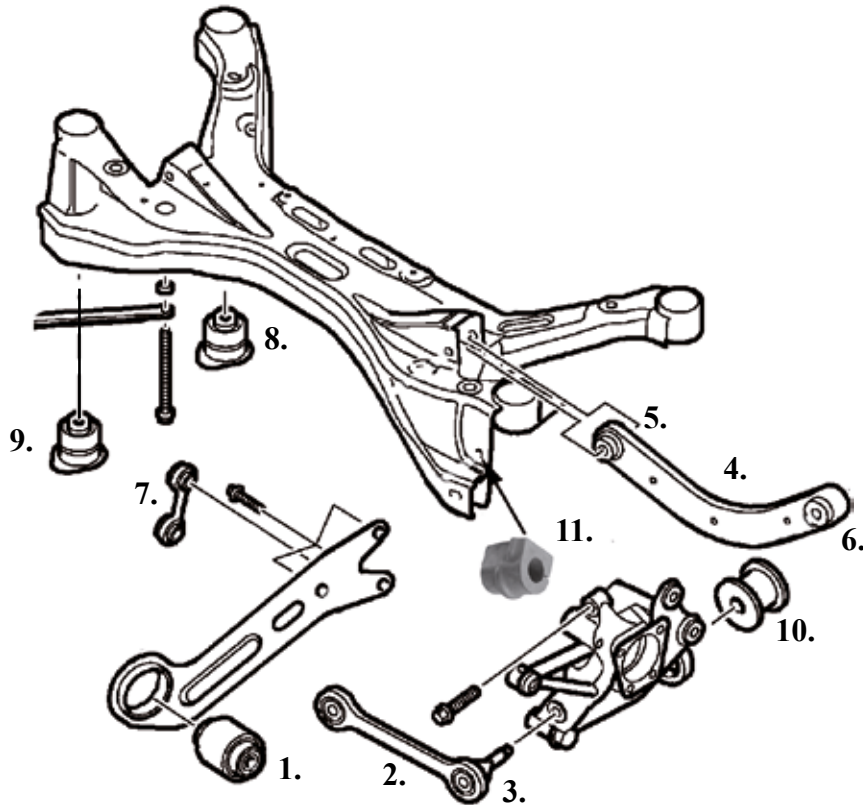
No	Description	L/R	Year	Oe Ref	Part Nr	
2	Tie rod B207 & D223L	L&R	2003-06	12804238	61344238	
2	Tie rod Z18XE, Z19DT & Z19DTH	L&R	2004-06	93187434 (93191672)	61347434	
2	Tie rod B284 Z18XE, Z19DT & Z19DTH B284	L&R	2006-07 2007 2006-07	93187485	61347485	
2	Tie rod B207 & D223L B284 With XWD	L&R	2007-10 2008-10	93194523	61344523	
2	Tie rod W/o XWD B284 Z18XE, Z19DT, Z19DTH & Z19DTR	L&R	2008-10 2008-10	93191674	61341674	
3	Boots for steering B207 & D223L	L&R	2003-10	12802043	47342043	
3	Boots for steering Z18XE, Z19DT, Z19DTH & B284 w/o 4WD	L&R	2003-10	93172342 (93191675)	47342342	

Front Suspension 9-3 2003-						
No	Description	L/R	Year	Oe Ref	Part Nr	
4	Control arm	Left	2003-10	12796013 (12799199)	61340025	
4	Control arm	Right	2003-10	12796014 (12799200)	61340026	
5	Rear bushing for control arm	L&R	2003-10	12786412	61346412	
6	Stabilizer link 4D, CV	L&R	2003-10	13237130 (24417251)	61347251	
7	Anti-roll bar bush Diam 24,2mm	L&R	2003-05	24428002	61348002	
7	Anti-roll bar bush Diam 25,2mm	L&R	2003-05	9191188	61341188	

Front Suspension 9-3 2003-

No	Description	L/R	Year	Oe Ref	Part Nr	
7	Anti-roll bar bush, upper part Diam 24-25,5mm	L&R	2004-10	13204070	61344070	
7	Anti-roll bar bush, lower part Diam 24-25,5mm	L&R	2004-10	13204071	61344071	
	Rubber, spring support. Front axle		2003-	13178464	72348464	

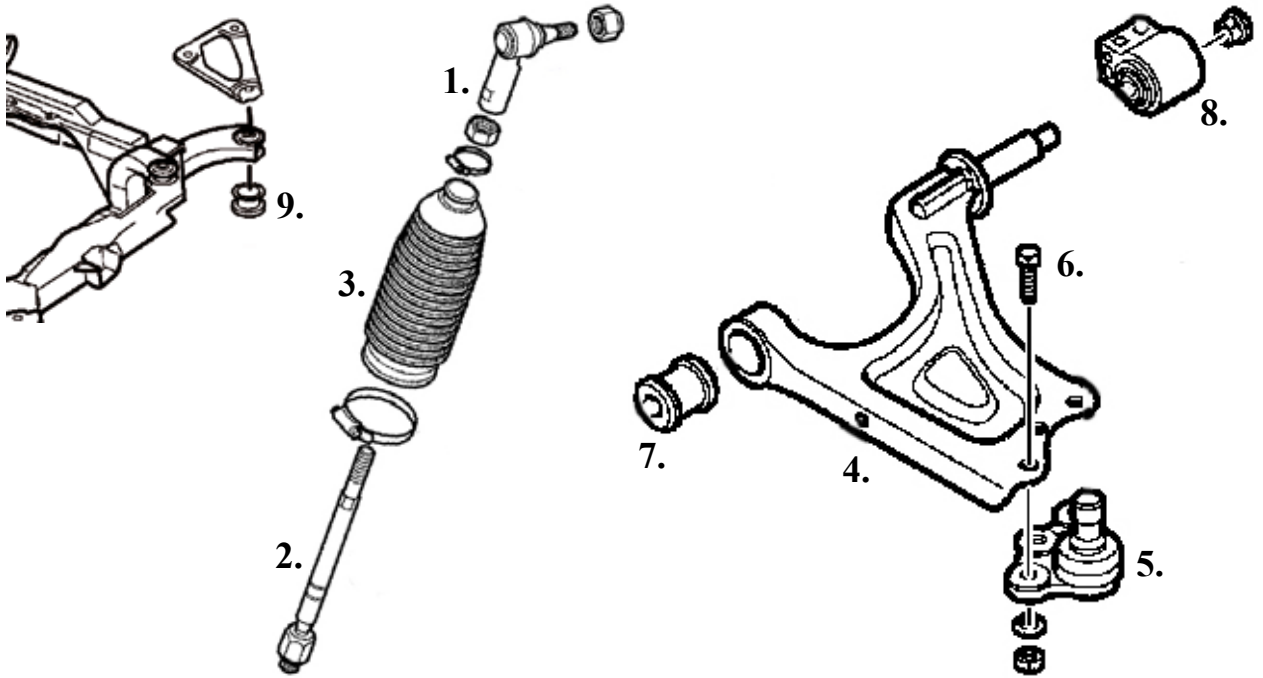
Rear Suspension 9-3 2003-



No	Description	L/R	Year	Oe Ref	Part Nr	
1	Front bushing for control arm	L&R	2003-	12756395 (12795024)	65346395	
2	Track rod	L&R	2003-	12793813	65343813	
3	Ball joint for track rod 65343813	L&R	2003-		65340813	
4	Track rod, upper	L&R	2003-	13230274	65340274	
5	Outer bushing for track rod 65340274 (bigger bushing)	L&R	2003-		65342741	
6	Inner bushing for track rod 65340274 (smaller bushing)	L&R	2003-		65342742	

Rear Suspension 9-3 2003-						
No	Description	L/R	Year	Oe Ref	Part Nr	
7	Track rod, anti-roll bar	L&R	2003-	13104120	65344120	
8	Rear bushing rear axle 4D, CV, 5D 4D & 5D		2003-04 2005-11	12786341	65346341	
8 9	Rear bushing rear axle, CV Front bushing rear axle, CV		2004-11 2004-05	12831239	65341239	
9	Front bushing rear axle CV, 4D, 5D		2003-04 2005-	12786340	65346340	
9	Front bushing rear axle, 4D, 5D		2006-11	12762370	65342370	
10	Bushing for knuckle		2003-11	24469643	65349643	
11	Rear anti roll bar bushing fits stabilizer rod 17mm		2003-11	24457385	65347385	
11	Rear anti roll bar bushing fits stabilizer rod 18mm		2003-11	24457386	65347386	
11	Rear anti roll bar bushing fits stabilizer rod 19mm For vehicles with sports package/lowering		2003-11	24457843 (444162)	65347843	
	Suspension strut support bearing	L&R	2003-11	12796037	72346037	

Front Suspension 9-5



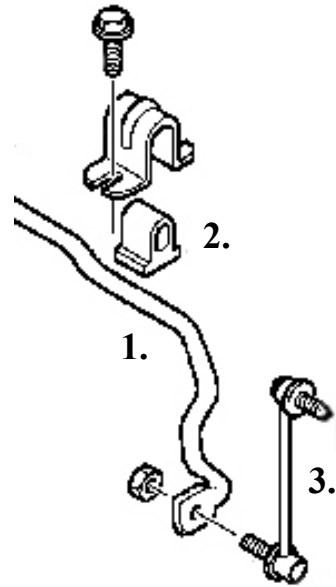
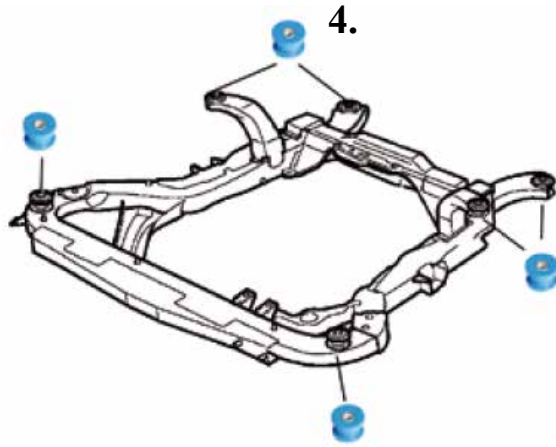
No	Description	L/R	Year	Oe Ref	Part Nr	
1	Tie rod end, outer	L&R	-2001	4836540	61340140	
1	Tie rod end, outer B207	Left	2002-05	12801423	61341423	
1	Tie rod end, outer B207	Right	2002-05	12801424	61341424	
2	Tie rod, inner	L&R	-2001	4836557	61340120	
2	Tie rod, inner	L&R	2002-	5239330	61349330	
3	Boot for steering	L&R	1998-10	4905865 (93194334)	47345865	





Front Suspension 9-5						
No	Description	L/R	Year	Oe Ref	Part Nr	
4	Control arm without ball joint	Left	1998-10	5236674	61345281	
4	Control arm without ball joint 10mm ball joint holes	Right	1998-10	5236682	61345282	
4	Control arm without ball joint Reinforced with polyurethane bushings	Left	1998-10	(5236674)	61345281PU	
4	Control arm without ball joint Reinforced with polyurethane bushings	Right	1998-10	(5236682)	61345282PU	
4	Control arm steel version See TSB 731-2472. Cone 18mm	Left	1998-01	93185279 (4835708)	61345279	
4	Control arm steel version See TSB 731-2472. Cone 18mm	Right	1998-01	93185280	61345280	
4	Control arm. Cone 20mm	Left.	2002-10	5236674	61346674	
4	Control arm. Cone 20mm	Right	2002-10	5236682	61346682	
4	Control arm. Cone 20mm Reinforced with polyurethane bushings	Left.	2002-10	5236674	61346674PU	
4	Control arm. Cone 20mm Reinforced with polyurethane bushings	Right	2002-10	5236682	61346682PU	
4	Control arm	Left	2010-	13318886	61348886	
4	Control arm After fitting the control arm mounting, tighten the screw holding the big bushing with 55 Nm+90°+15°. The control arm mounting must be tightened with the vehicle under load.	Right	2010-	13318887	61348887	

Front Suspension 9-5						
No	Description	L/R	Year	Oe Ref	Part Nr	
5	Ball joint, lower With aluminium control arm Cone 18 mm, bolt hole 8mm	L&R	-2001	5231683 (4835740)	61340130	
5	Ball joint, lower For cars that had the old control arm with 18mm cone and 10mm hole. Cone 18mm, bolt hole 10mm	L&R	1998-01	93185278	61345278	
5	Ball joint, lower Cone 20 mm, bolt hole 10mm	L&R	2002-	5237516	61347516	
6	Bolt kit for ball joint Diam 10mm	L&R	1998-01	4348330 (4348355)	61340220	
6	Bolt kit for ball joint	L&R	2002-10	5125802	61345802	
7	Front bushing for control arm	L&R	1998-	4566899	61340074	
7	Front bushing kit for control arm Can replace 61340074. 2 pieces required. Polyurethane version.	L&R	1998-	4566899	61340074PU	

Front Suspension 9-5						
No	Description	L/R	Year	Oe Ref	Part Nr	
8	Rear bushing for control arm	L&R	2000-01	5063391	61343391	
8	Rear bushing for control arm Polyurethane version. 2 pcs required.	L&R	1998-99	5063391	61343391PU	
8	Rear bushing for control arm	L&R	2002-10	5233374	61343374	
8	Rear bushing for control arm Polyurethane version. 2 pcs required.	L&R	2002-10	5233374	61343374PU	
8	Housing for bushing 61343374PU. 2 pieces.	L&R	2002-10	5233374	61343374H	
8	Complete rear bushing, Polyurethane bushing and house, 61343374PU & 61343374H. 1 piece	L&R	2002-10	5233374	61343374PUC	
9	Front bushing for engine frame		1998-01	4909024 (90468609)	61340084	
9	Centre front bushing for engine frame		1998-01	4566923	61346923	

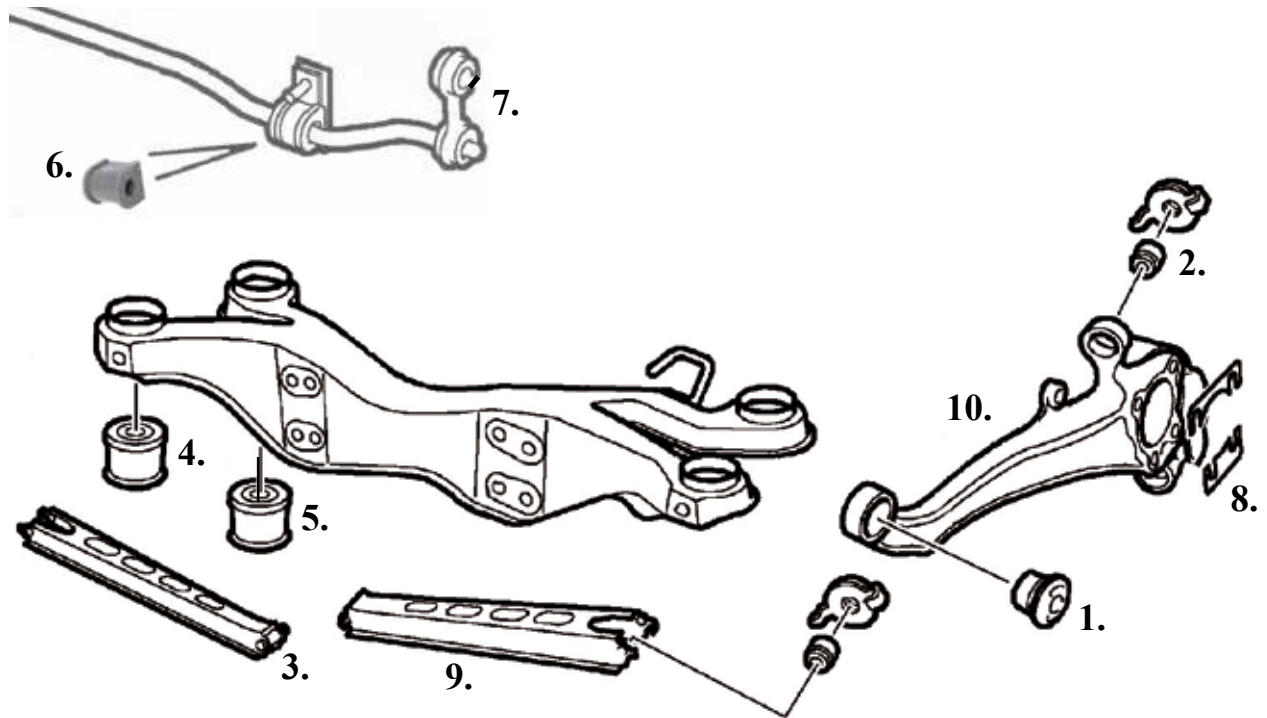
Front Suspension 9-5







No	Description	L/R	Year	Oe Ref	Part Nr	
1	Anti-roll bar for sport chassi		2006-10	12761909	61341909	
2	Anti-roll bar bush Ch -X3034800	L&R	1998-00	4686820 (5059795)	61349795	
2	Anti-roll bar bushing kit Ch -X3034800. 15 mm. Can replace 61349795. 2 pieces.	L&R	1998-	4686820	61340076PU	
2	Anti-roll bar bush	L&R	2000-	5059803	61349803	

Front Suspension 9-5						
No	Description	L/R	Year	Oe Ref	Part Nr	
3	Stabilizer link	L&R	1998-10	5236823 (4686606)	61340150	
3	Stabilizer rod For vehicles with active chassis	L&R	08,2010-	13258052 (13258058) (350618)	61348052	
3	Stabilizer rod For vehicles w/o active chassis	L&R	08,2010-	13219141 (350617)	61349141	
4	Subframe mounting bush kit Can replace 61340084 & 61346923. 6 pieces		1998-10		61340000PU	
	Bolt for steering knuckle housing		1998-01	4940219	61340219	
	Bushing for steering rack		1998-10	8934119	61340018	
	Silentblock/Rubber spacer			4671863	21341863	
	Spring support			4689519	72349519	

Rear Suspension 9-5



No	Description	L/R	Year	Oe Ref	Part Nr	
1	Front bushing control arm	L&R	1998-10	5236633 (5063383) (5059811) (4566600) (12781136)	65340104	
1	Control arm bushing kit 2 pieces. Can replace 65340104	L&R	1998-10	5236633 (5063383) (5059811) (4566600) (12781136)	65340104PU	
2	Bushing support bar, lower	L&R	1998-10	4567244	65340160	
3	Bushing for support bar, upper	L&R	1998-10	4566378	65340106	

Rear Suspension 9-5

No	Description	L/R	Year	Oe Ref	Part Nr	
4	Bushing for rear axle	L&R	1998-10	5236260 (5059258) (4566394)	65340096	
5	Bushing for rear axle, middle	L&R	1998-10	5236278 (5059266) (4687125)	65340098	
6	Anti-roll bar bush 4D, Code E Ch -X3034800	L&R	1998-10	4906731	65340108	
6	Anti-roll bar bushing kit 4D, Code E Ch nr -X3034800. 15 mm Can replace 65340108. 2 pieces	L&R	1998-10	4906731	65340108PU	
6	Anti-roll bar bush. Code F & H	L&R	1998-10	4906749	65340114	
6	Anti-roll bar bush. Code G & J Sport chassi	L&R	1998-10	4906756	65346756	

Rear Suspension 9-5						
No	Description	L/R	Year	Oe Ref	Part Nr	
7	Stabilizer link/rod Ch -X3034800	L&R	1998-10	4906111 (4565859)	65340116	
8	Lower camber shim			4908166	65348166	
8	Upper camber shim			4908174	65348174	
9	Track control arm		1998-10	90538444 (4565263)	65348444	
	Track control arm		1998-10	90538916 (4565255)	65348916	
	Track rod Vehicles w/o AWD Length 202 mm	L&R Lower	2010-	13219171	65349171	
10	Support arm	Left	2008-10	12781135 (12762582)	65341135	
	Support arm	Right	2008-10	12781134 (12762583)	65341134	