
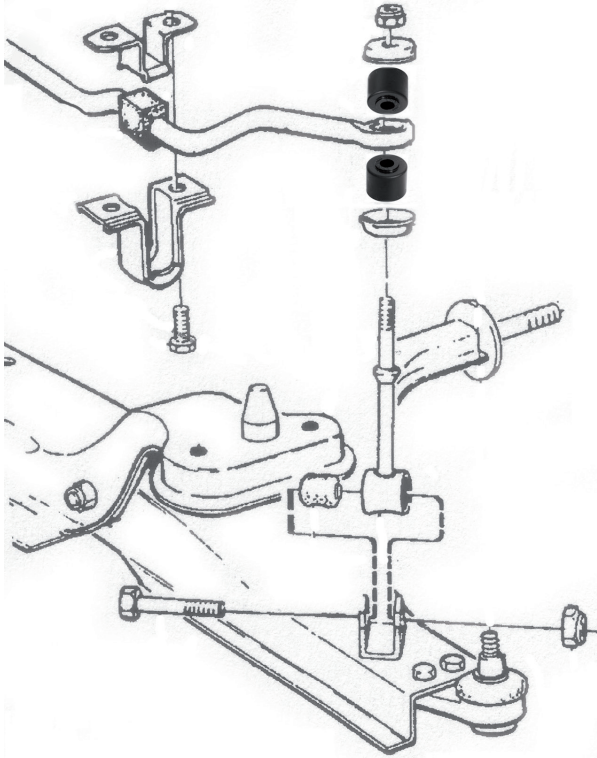

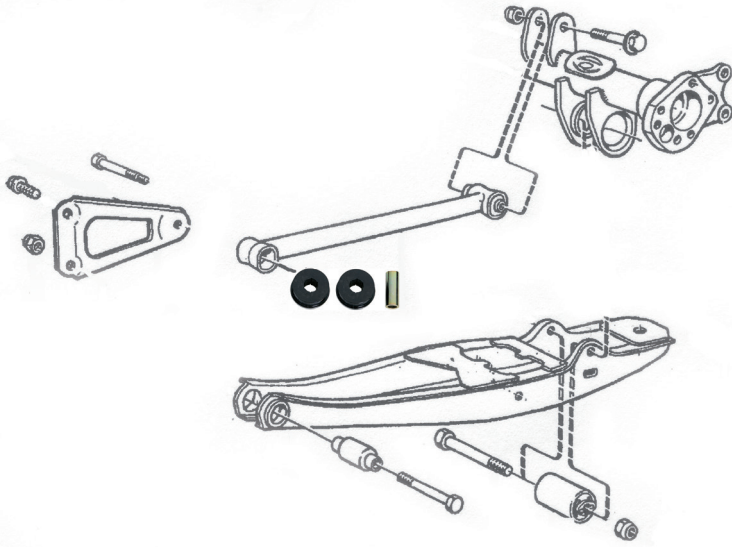

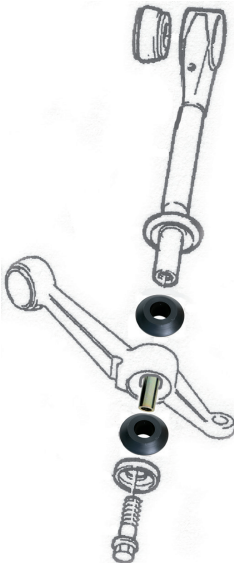

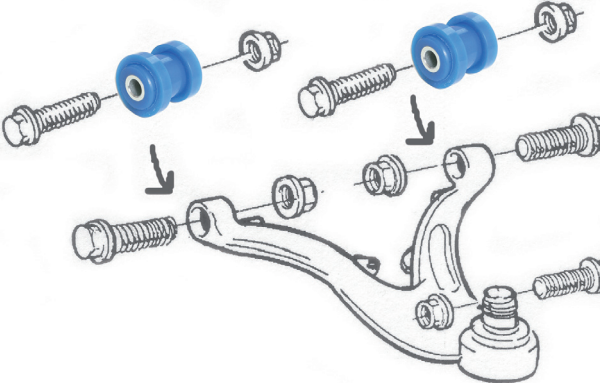






Urethane Bushings

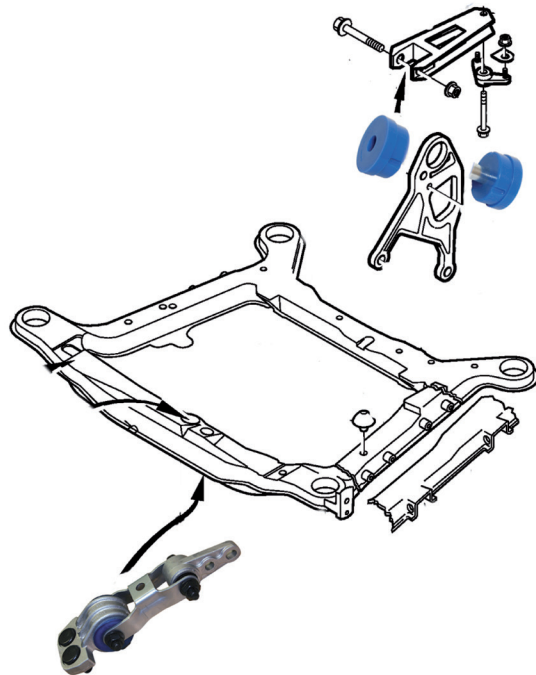
Model	Type/Engine	Year	Oe Ref	Art No	
200,700 900	Sway bar bushing Front. 1 piece. Can replace 61430004.		1205991	61340086PU	
					
240	Bushing kit for Torque rod. Rear. Can replace 65430038.		1273622	65430038PU	
					


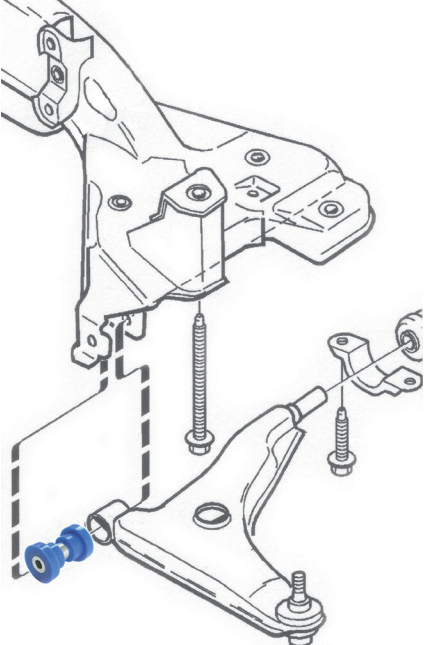
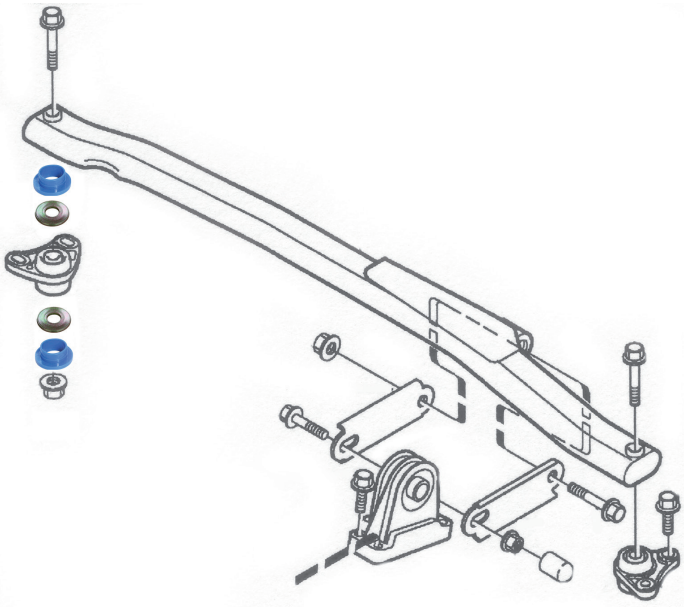


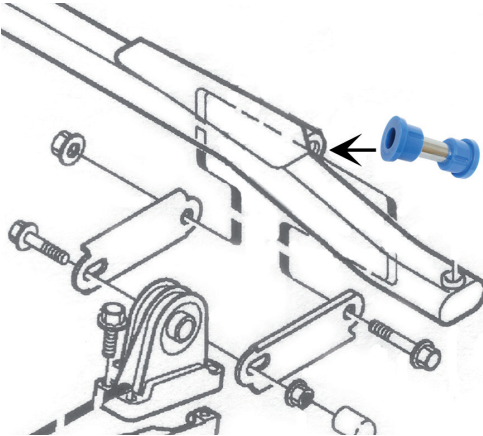
Urethane Bushings

Model	Type/Engine	Year	Oe Ref	Art No	
740,940	Bushing kit for Control arm. Front. Can replace 61430052.		6819057 (1229297)	61430052PU	
					
850 S/V70 V70XC C70	Bushing kit for control arm. Front. 4 pieces. Can replace 61431631.	1992-97 1997-00 1998-00 1998-05	271631	61431631PU	
					



Urethane Bushings Volvo

Model	Type/Engine	Year	Oe Ref	Art No		
850 C/S/V70	Bushing kit for motor mount. Upper. 1 piece. Can replace 61430106.		9434263 (9434288)	61430106PU		
850 C/S/V70 S60, S80 XC70 XC90	Engine mount torque rod bushing for 62431042PU. 1 piece.			62431402PU		
850 C/S/V70 S60, S80 XC70 XC90	Engine mount torque rod with P/U bushing. Front. Left. Can replace 62431042.		9141042	62431042PU		
850 C/S/V70 V70XC S60, S80 V70 XC70 XC90	Reinforced polyurethane bushing, subframe corner, 4 pcs/engine. Complete with P/U grease.	L&R Front	1992-97	3507923	61430104PU	



Urethane Bushings						
Model	Type/Engine	Year	Oe Ref	Art No		
S/V40	Bushing for control arm. Left & Right. Can replace 61430240. 2 pieces.	Front	1996-04	30818467	61430240PU	
						
V70 XC70 S60 S80	Cross member bracket. Left & Right. Upper. 5 & 6 cyl. Can replace 62433967. 2 pieces.	Rear	2000-08 2001-07 2001-09 1999-06	9203967 (9203968) (8666204) (8666205)	62433967PU	
V70 S60 V70XC/ XC70	Engine mount bushing kit for engine rod. Upper. V70 FC1; CH -220075 V70 FC2; CH -216575 S60 CH -143713 V70XC CH -65533. 1 piece.		2000-08 2001-09 2001-07	8666203	62436203PU	
						

Urethane

Model	Type/Engine	L/R	Year	Oe Ref	Art No	
V70N S60	Control arm reinforced with polyurethane front bushing, 15",16",17" S60 Ch -626501, V70 FC1: Ch -647148, FC2: Ch -645617 Can replace 61430181 and 61430182	Left Right	2000-05 2001-05	8649543 (30635229) 8649544 (30635230)	61430181PU 61430182PU	
S80	Control arm reinforced with polyurethane bushings	Left Right	1999-06	8649541 (8623955) (9492105) 8649542 (8623956) (9492106)	61430201PU 61430202PU	
V70 S60 S80 V70XC/ XC70	Bushing for control arm. Front. Also police and taxicars. 1 piece. Can replace 61435971.	L&R	2000-08 2001-09 1999-06 2001-07	9465971 (9443882)	61435971PU	